

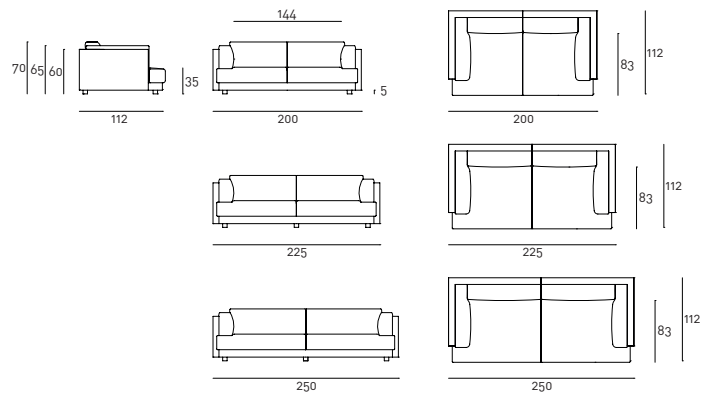


## Family Lounge

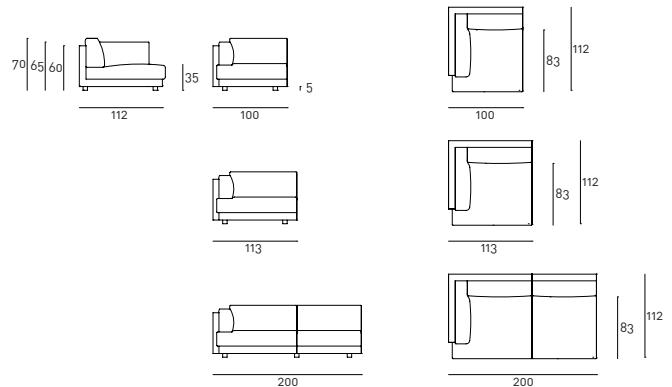
design Piero Lissoni

Fix or modular sofa with one-piece frame in double-paneled poplar and pine. Steel seat chassis with support in cross-woven, coated rubber elastic straps. Shell padding in differentiated density polyurethane foam. Covering in needle punched, resinated, non-woven polyester fibre, bonded onto a polyamide velveteen backing. Seat cushions in differentiated density polyurethane foam, coated with acrylic fibre layers. Back and armrest cushions in differentiated density polyurethane foam, coated with acrylic fibre layers, or on request, in prewashed and sterilized goose down, stitched into separate compartments, with preformed polyurethane foam insert. Anodized aluminum black feet, adjustable on three levels, from 7 to 10cm. Fabric or leather upholstery. The fabric version only is fully removable by zippers and Velcro fastenings. The leather version is always with non-removable upholstery. Seat depth 83cm.

### Sofas



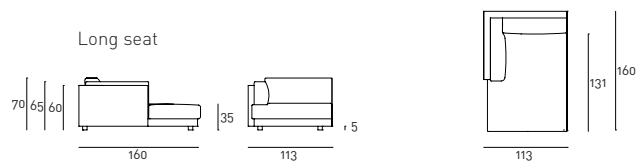
### End elements



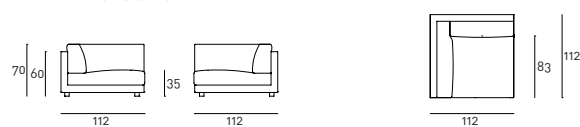
## Family Lounge

design Piero Lissoni

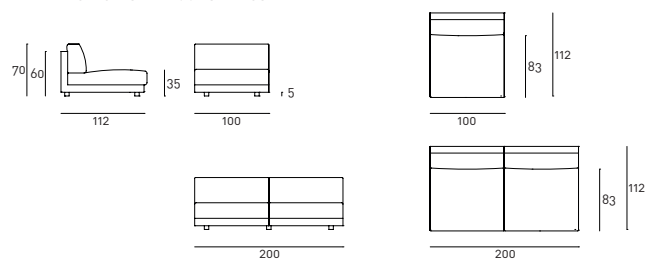
Long seat



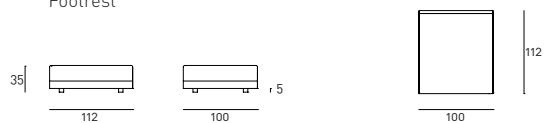
Corner element



Elements without armrest



Footrest



Cushions

